



THE MOST
DEPENDABLE
SOLAR BRAND

PV-JK03M/XY SERIES

PV CABLE CONNECTOR

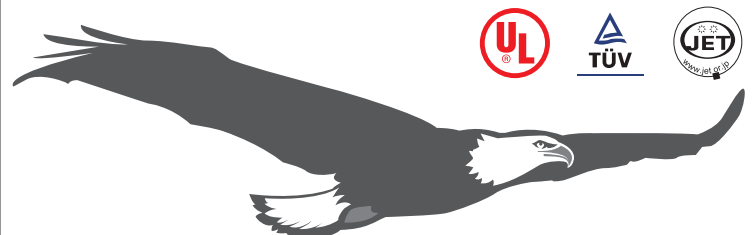
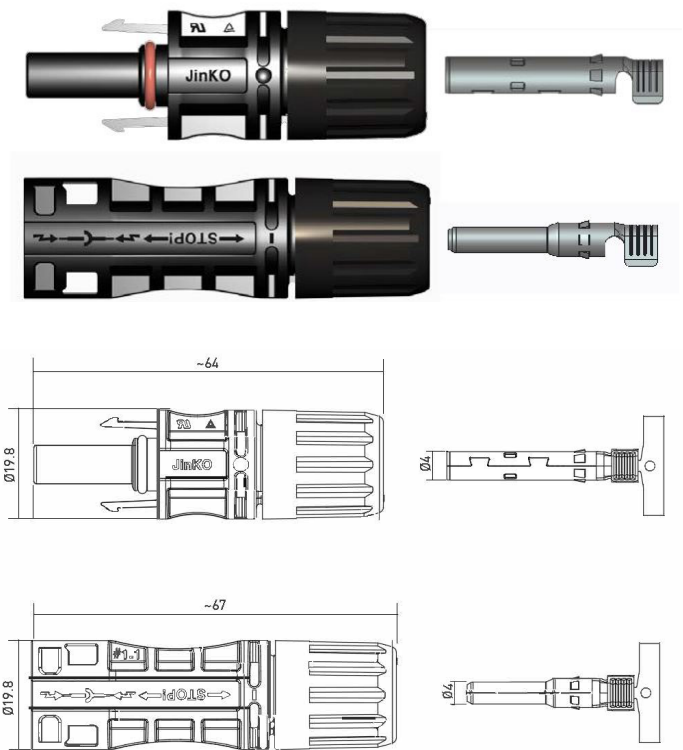
ISO9001:2008, ISO14001:2004, OHSAS18001 certified factory.
TUV Rheinland, UL Certified, NEC Compliant

KEY FEATURES

- High security, only unbolt by tools
- Low contact resistance
- Retaining structure of nut to keep torsion valid
- Resistance to ozone and ultraviolet radiation
- Degree of Protection : IP68
- Certification of TÜV, UL, and JET
- Compatible with all Jinko connectors

TECHNICAL DATA

Rated Voltage	1500V DC
Rated Current	45A (12AWG) 50A (10AWG)
Ambient Temperature	-40°C~+85°C
Upper Limit Temperature	110°C
Degree of Protection, mated	IP68 (1m,2h)
Degree of Protection, unmated	IP2X
Application Class	Class A
Over Voltage Category/ Pollution Degree	CAT III/2
Contact Resistance	≤ 0.3mΩ
Protection Class	Class II
Terminal Connection	Crimping
Conduction Material	Cu alloy plating
Insulation Material	PPE/PA
Certification Standard	TÜV IEC 62852:2014 ; UL6703



© Jinko Solar Co., Ltd. All rights reserved. Specifications included in this datasheet are subject to change without notice. PV-JK03M/XY-US